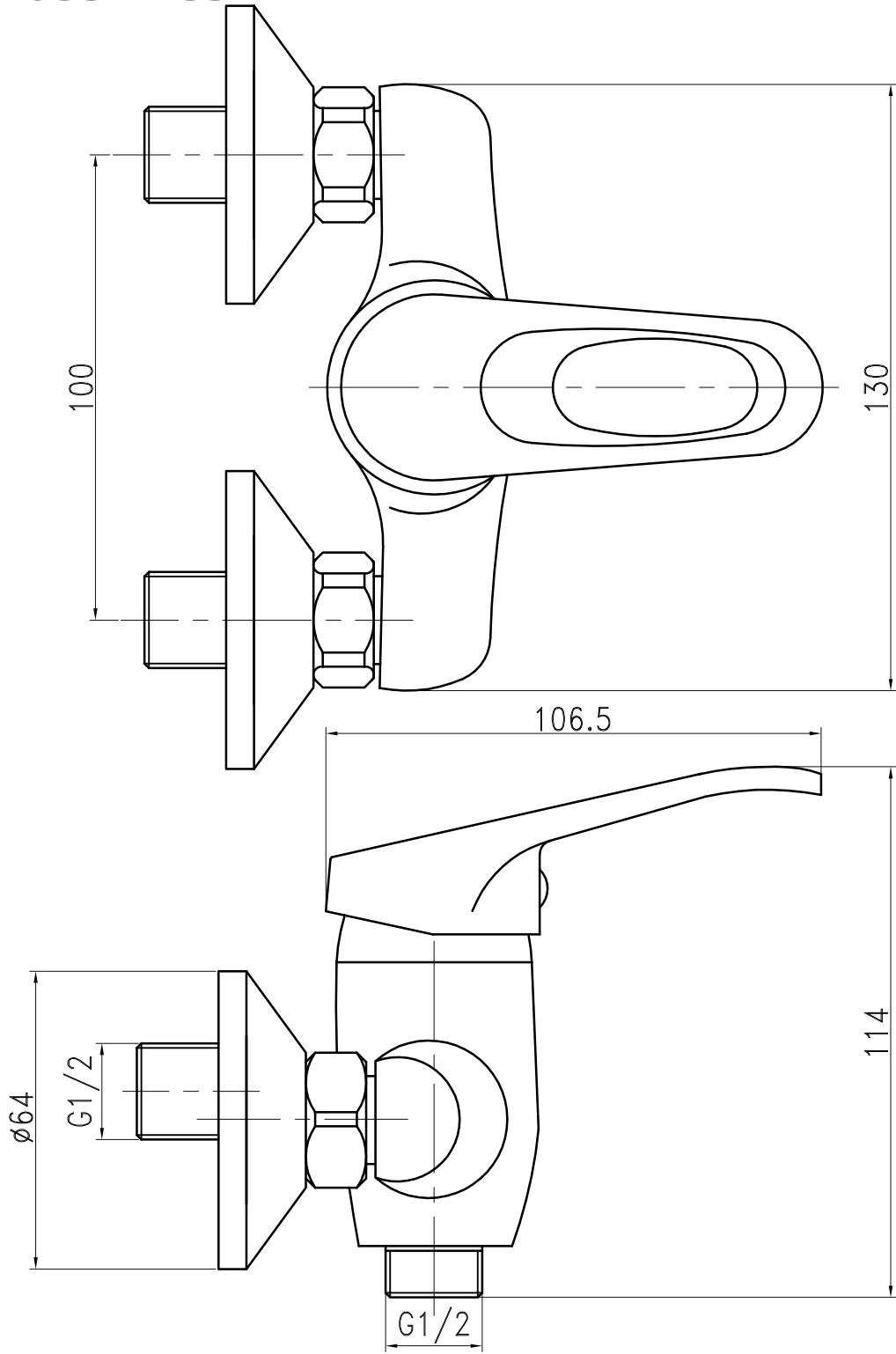


# PDF Eraser Free



					DIMENSIONAL DRAWING		
NO.	QTY	Description	Signature	Date			
DESIGN				Version			
CHECK				1.0	SIZE A4	DRAWING No.	PRODUCT No.
APPROVE					SCALE	SD90017-100-00	SD90017-100-00