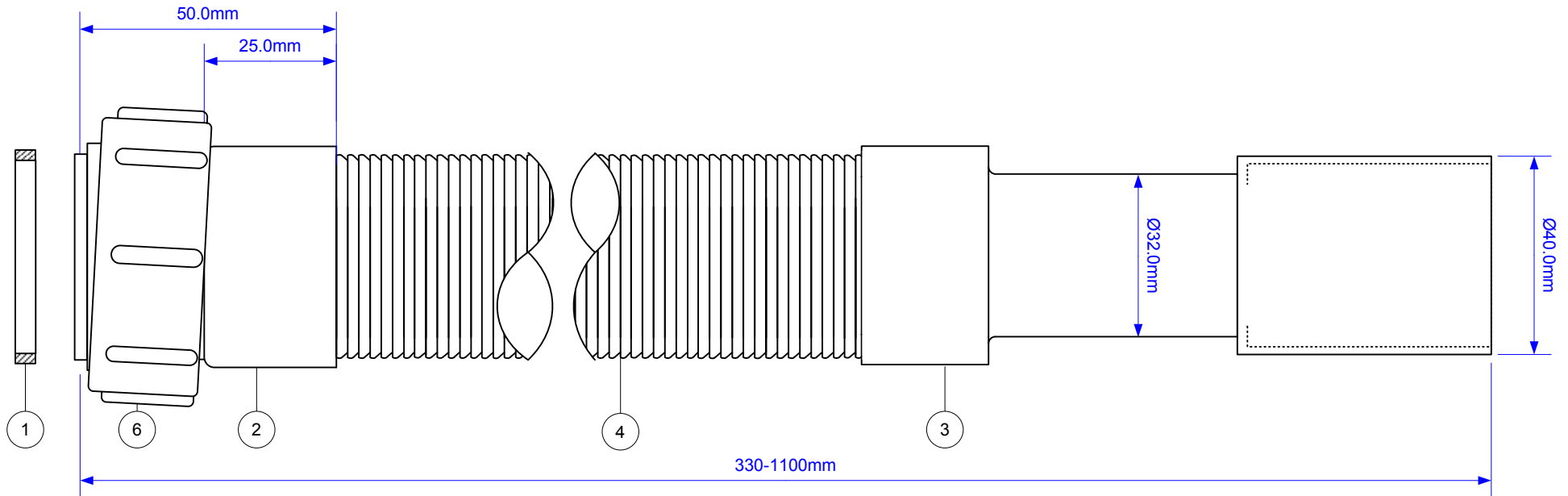
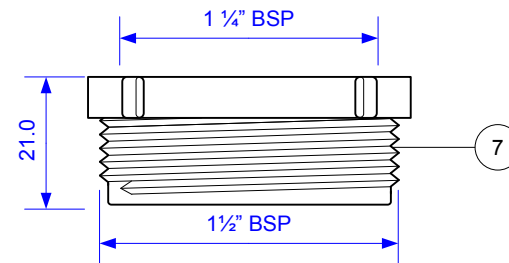
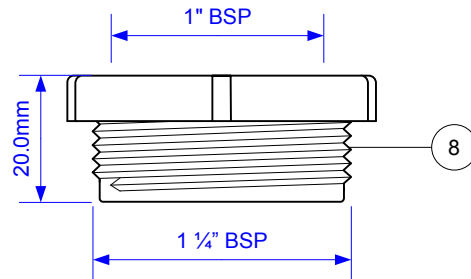


Code:

# ALG-FLXCC3240-BSP



Part No.	Code
1	40M
2	CC-1.50-INLET-1P
3	CC-3240MM-1P
4	FLEX-CC40-1100
5	P-B-S150X450MC
6	T8A
7	T16
8	S16



Drawing verified  
correct as of:

10/04/2015  
RM

DRAWN BY

Ross Kennedy

REVISED

SCALE

1: 1.2

FILENAME

ALG-FLXCC3240-BSP.VSD

DATE

10/04/2015