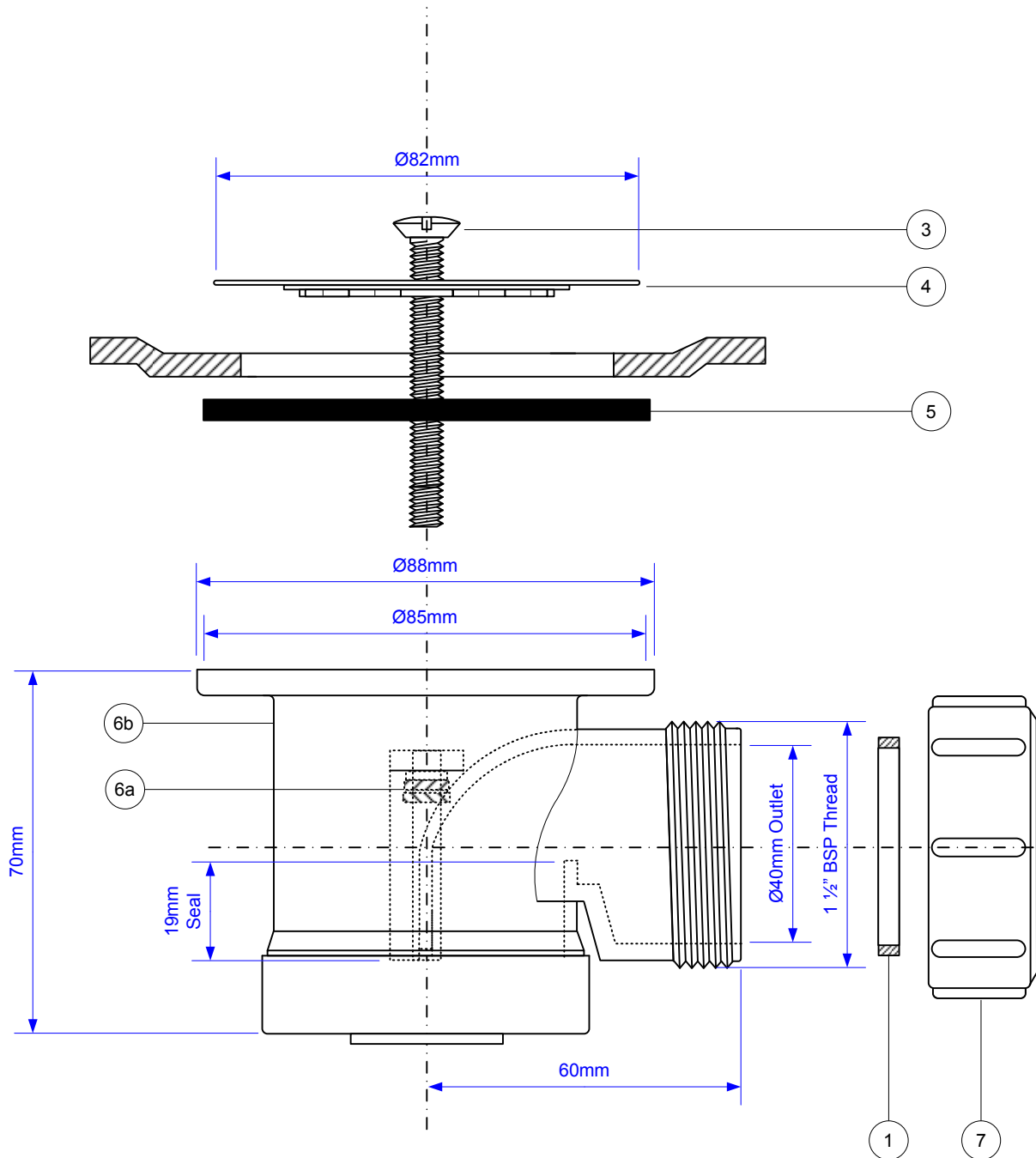


Code:

ALG-STWCY82F



| Part No | Code |
|---------|----------------------------|
| 1 | 40M |
| 2 | P-B-S270X250MC (Not Shown) |
| 3 | P-CPIN-75MM |
| 4 | P-F-82-FLUSH-CP |
| 5 | P-RW-MBW-SEAL |
| 6 | STW85CYBODY |
| a | P-6MM-INSERT |
| b | STW85CYBODY |
| 7 | T8B |

Drawing verified
correct as of:

24/11/2016
RM

DRAWN BY

RM

REVISED

07/07/2004, 10/01/2012, 20/07/2012
24/11/2016

FILENAME

ALG-STWCY82F.VSD

DATE

24/11/2016

SCALE

1: 1.25