

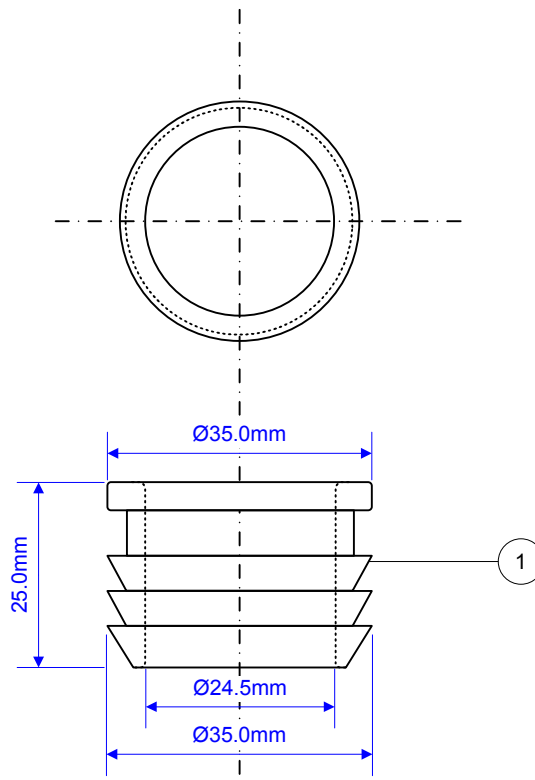
Code:

# ALG-FLXCON-3225

XP 1204

SET C

32mm - 25mm Connector



Part No.	Code
1	FLEXCONN-3225-WH
2	P-B-S270X250MC (Plastic Bag)

Drawing verified  
correct as of:

14/05/2013  
RM

DRAWN BY

RM

REVISED

SCALE

1: 1

FILENAME

ALG-FLXCON-3225.VSD

DATE

14/05/2013