

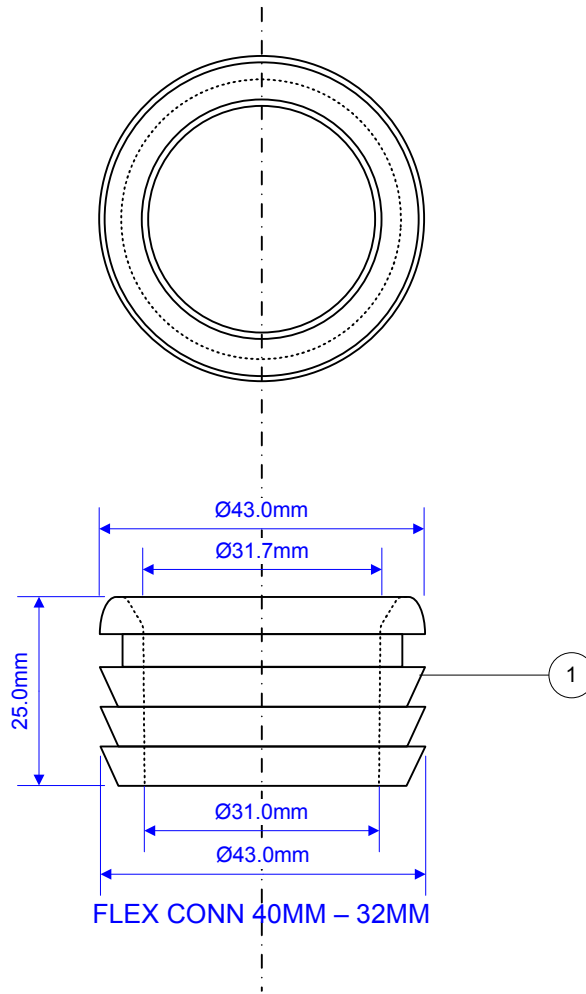
Code:

ALG-FLXCON-4032

XP 1134

SET E

40mm – 32mm Connector



Part No.	Code
1	FLEXCONN-4032-WH
2	P-B-S270X250MC (Plastic Bag)

Drawing verified
correct as of:

13/09/2012
RM

DRAWN BY

RM

REVISED

SCALE

1: 1

FILENAME

ALG-FLXCON-4032.VSD

DATE

13/09/2012