

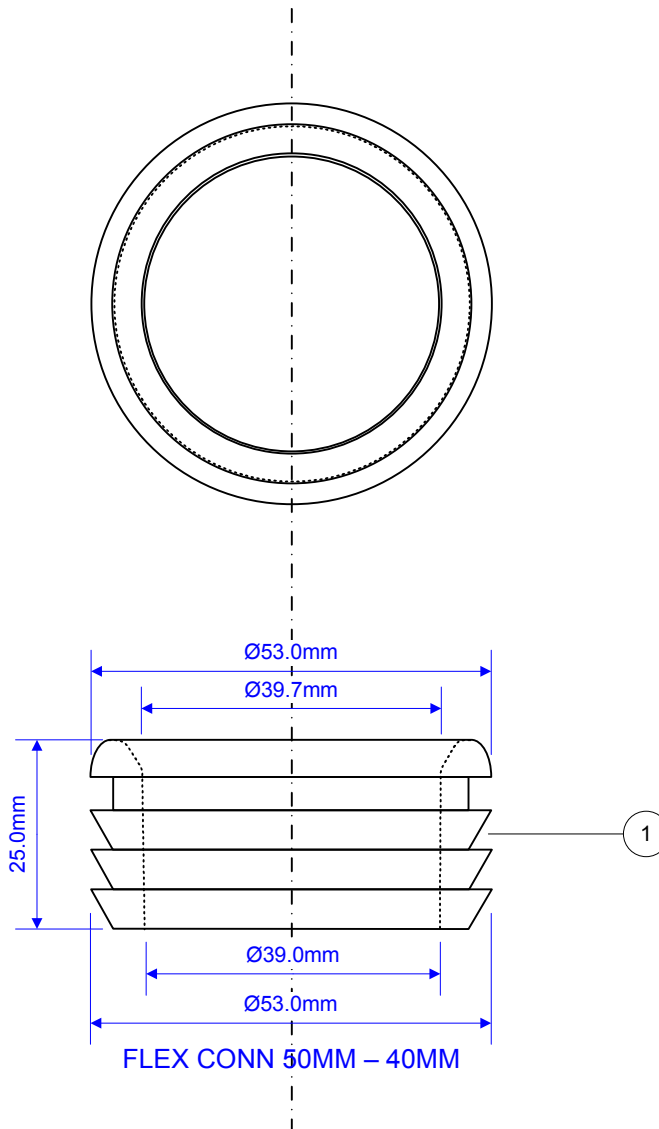
Code:

# ALG-FLXCON-5040

XP1134

SET D

50mm – 40mm Connector



Part No.	Code
1	FLEXCONN-5040-WH
2	P-B-S270X250MC (Plastic Bag)

Drawing verified  
correct as of:

13/09/2012  
RM

DRAWN BY

RM

REVISED

SCALE

1: 1

FILENAME

ALG-FLXCON-5040.VSD

DATE

13/09/2012