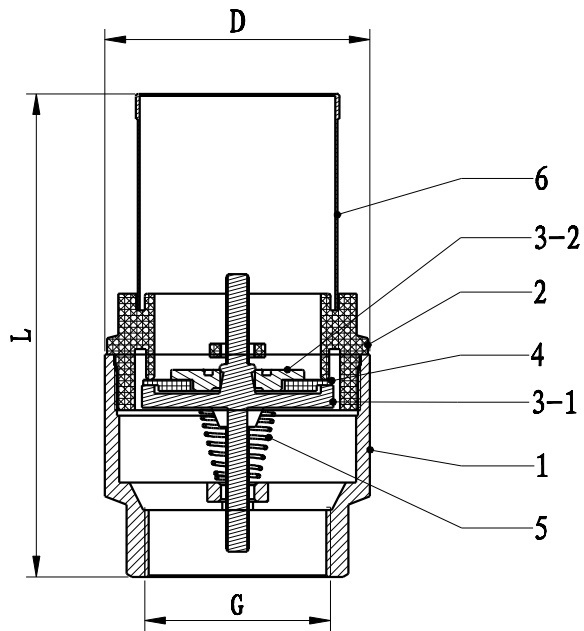


装 订 线

F401A SPRING CHECK VALVE



No.	1	2	3-1	4	3-2	5	6
COMPONENT	BODY	BONNET	CORE	SEAL	DISC	SPRING	FILTER
MATERIAL	Brass	ABS	ABS	NBR	ABS	Stainless Steel	Stainless Steel

bar (max)	10	10	10	8	8	8	6	6	6
G	1/2"	3/4"	1"	1-1/4"	1-1/2"	2"	2-1/2"	3"	4"
D (mm)	33.5	42	48	59.7	67.3	81.3	103	111	139.5
L (mm)	66	71	87	96.5	111	129	159.5	170	193.5

描 校

旧底图号

Rev.	Revisions Rec.	Date



ZHEJIANG FDH
BRASS INDUSTRIAL CO.,LTD.

底图总号

Designed	Date	Range of Weight	Gross Weight
Checked	13/10/17	±2%	
Approved	Rev.		
Technics	0		

ASSEMBLES

F401A SPRING CHECK VALVE

